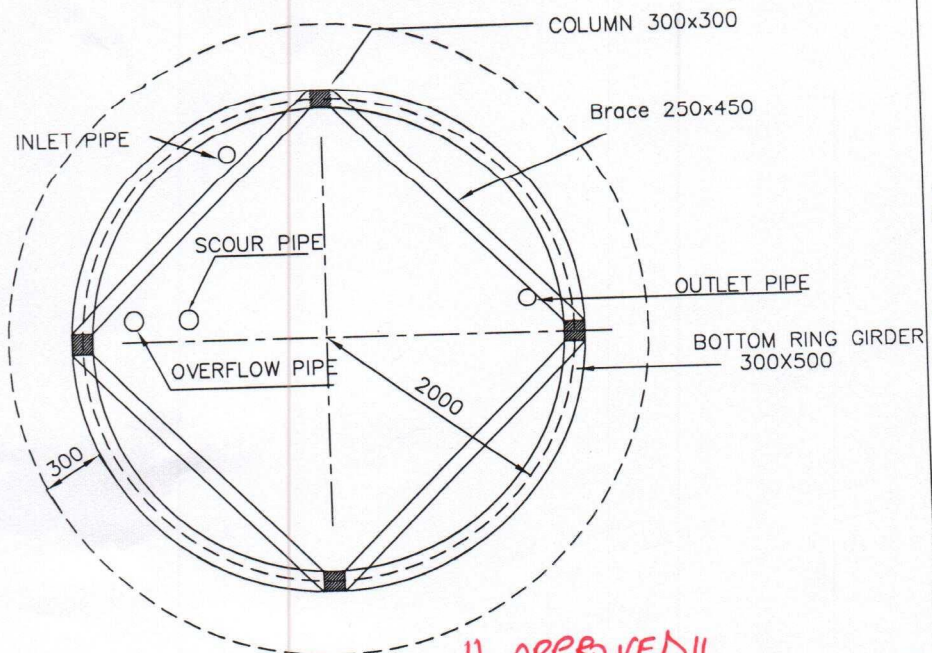


NOTE: THIS DRAWING SUPERSEDES THE EARLIER APPROVED DRAWING FOR 20 KL OHSR ON 17.04.2017

SECTIONAL ELEVATION



PLAN

II APPROVED II

CE I
 G. Ramesh 16/5
 CE II
 CE III
 TDWSP, Hyderabad
 16/5
 16/5
 16/5

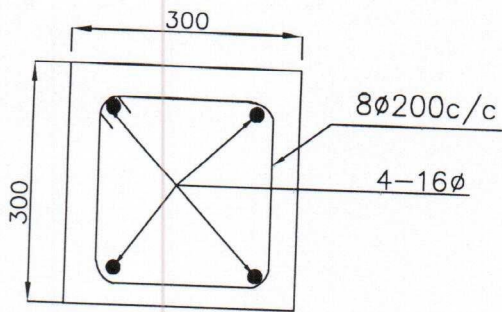
NOTES

1. Grade of Concrete : M30
2. Grade of Steel : Fe500
3. Clear minimum cover
 - a) Water face:
 - Side walls : 45MM
 - Top & Bottom slabs : 45MM
 - Beams : 45MM
 - b) Away from Water face:
 - Side walls : 30MM
 - Top & Bottom slabs : 30MM
 - Beams : 30MM
 - c) Columns : 40MM
 - d) Footings : 50MM
4. All dimension are in 'mm' unless specified.
5. The steel should not be overlapped at the junction points
6. Not more than 1/2 of the bars should be curtailed at a given section
7. Suitable PVC pipe casing has to be Provided in the staircase column up to the top, for installation of lightning Arrester.
8. Seismic Zone : II
9. Wind speed : 44 m/s (Wind pressure: 1.6 kN/m²)
10. free board: 0.15m
11. Dead storage : 0.15m
12. Total staging is 12m and has to be adjusted in last staging
13. Depth upto Raft Beam top: 1.5m
14. For detailing of reinforcement IS SP-34 shall be followed.

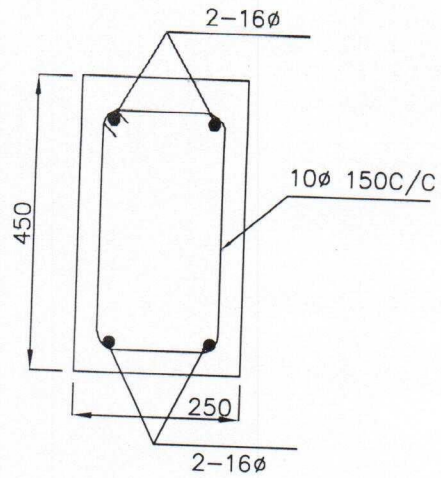
Government of Telangana

Rural Water Supply & Sanitation Department

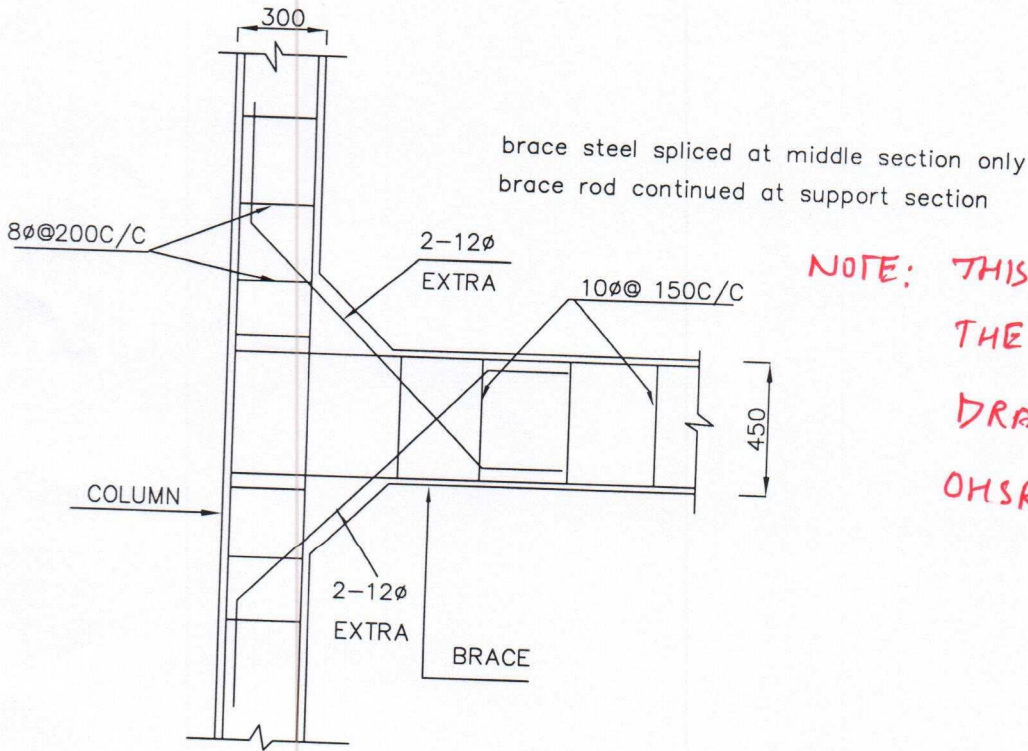
Construction of 20 KL capacity OHSR/OHBR 12m staging column type



SECTION OF COLUMN



SECTION OF BRACE



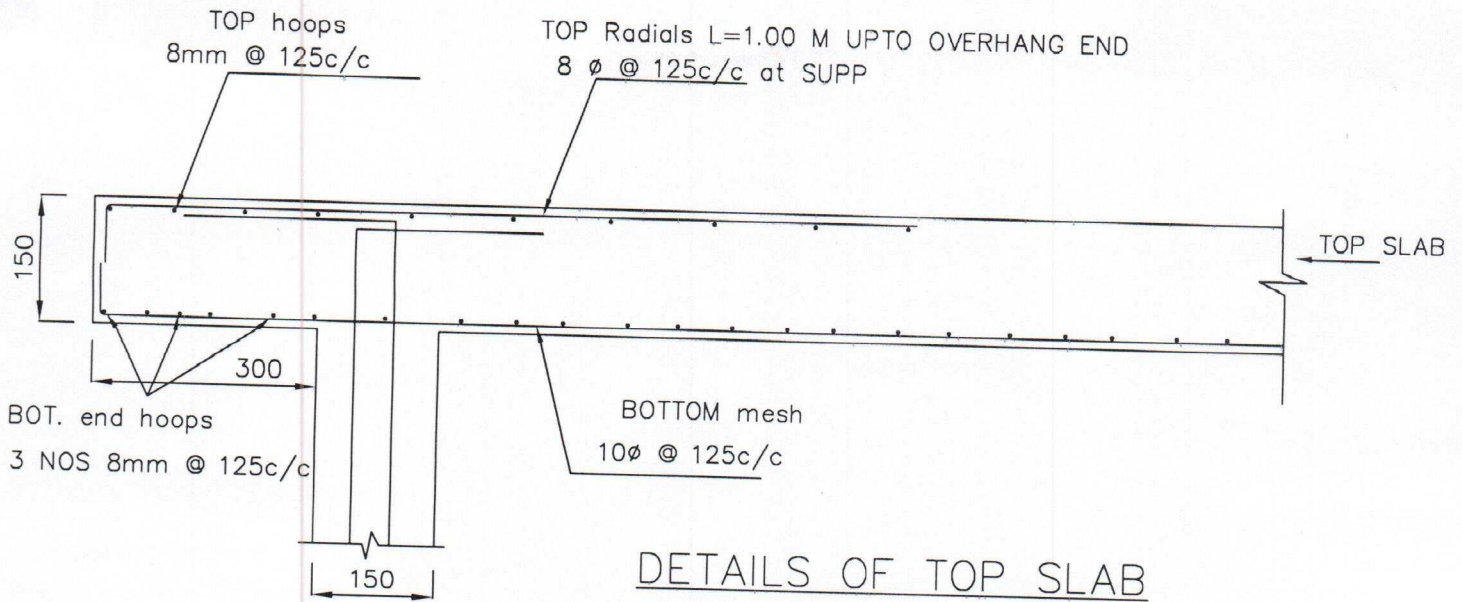
COLUMN BRACE JUNCTION

NOTE: THIS DRAWING SUPERSEDES THE EARLIER APPROVED DRAWING FOR 20KL OHSR ON 17.04.2017

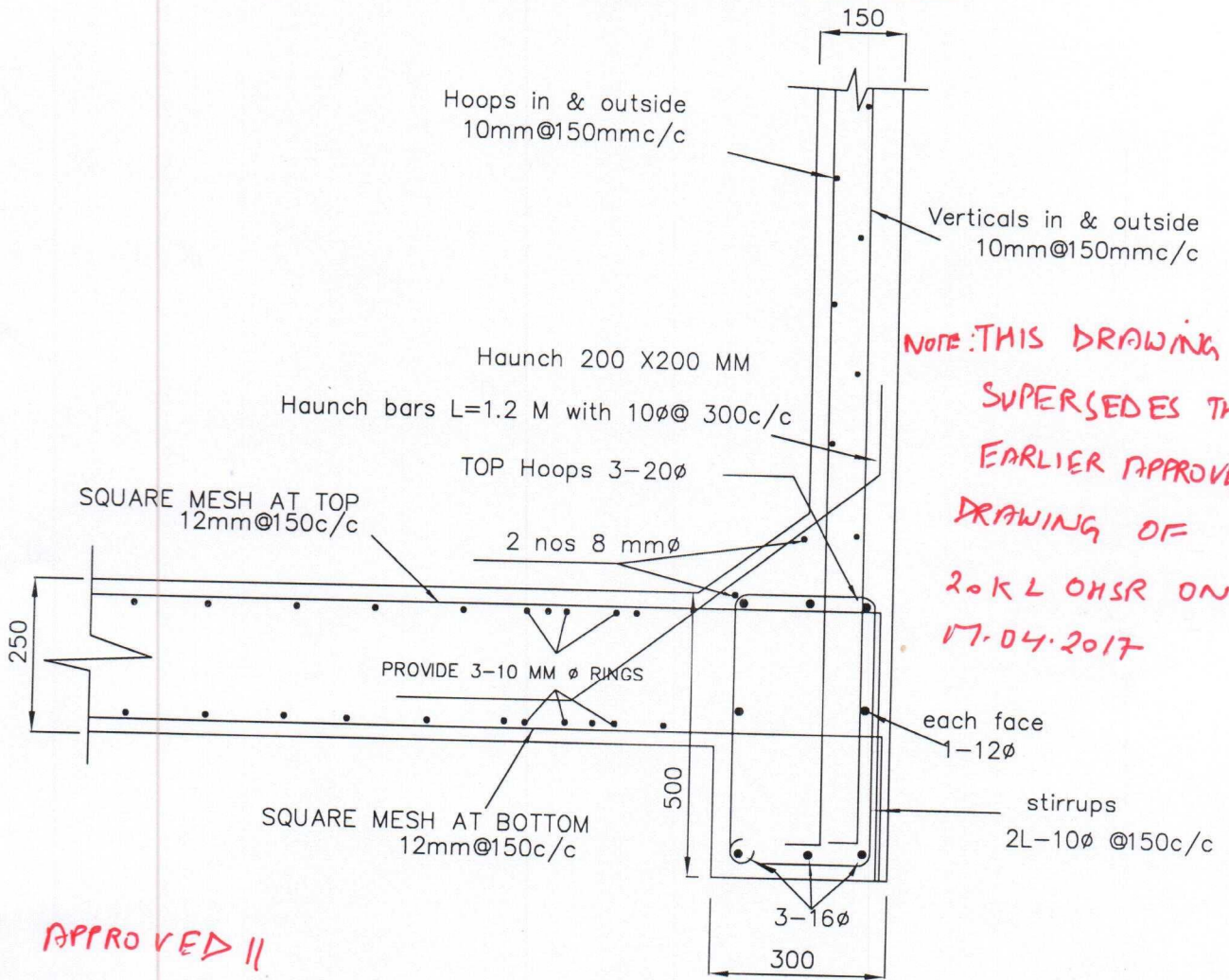
APPROVED II

CE I
 CE II
 CE III
 TDWSP, Hyderabad
 16/5
 16/5
 16/5
 16/5/17
 16/5/12
 EE

Government of Telangana		
Rural Water Supply & Sanitation Department		
Construction of 20 KL capacity OHSR/OHBR 12m staging column type		
Scale: Not to scale	sheet: 2 of 8	REV : 01



DETAILS OF TOP SLAB



NOTE: THIS DRAWING SUPERSEDES THE EARLIER APPROVED DRAWING OF 20 KL OHSR ON 17.04.2017

|| APPROVED ||

BOTTOM RING BEAM

CE I
 CE II
 CE III

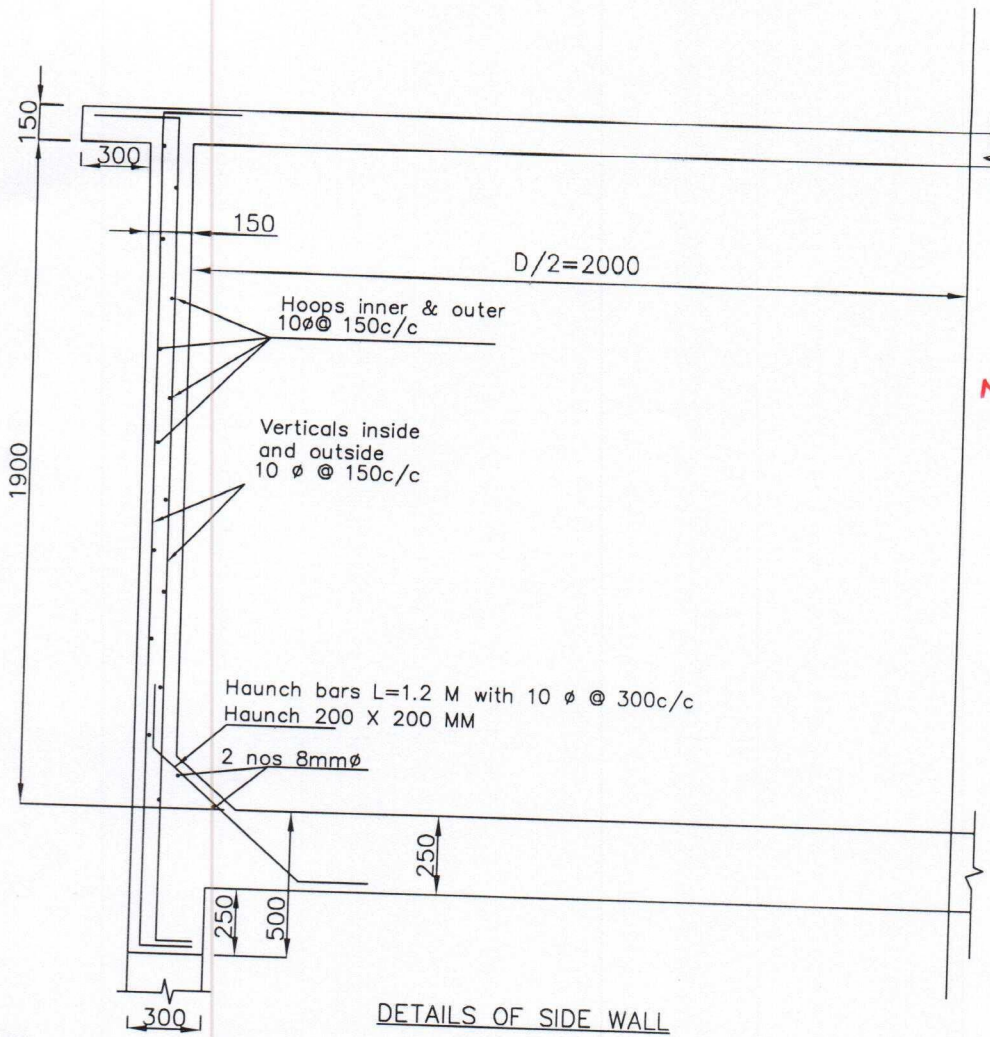
Gireesha 16/12
 Jay 16/12

TDWSP, Hyderabad

Re 16/5
 Abhay 14/12
 16/5

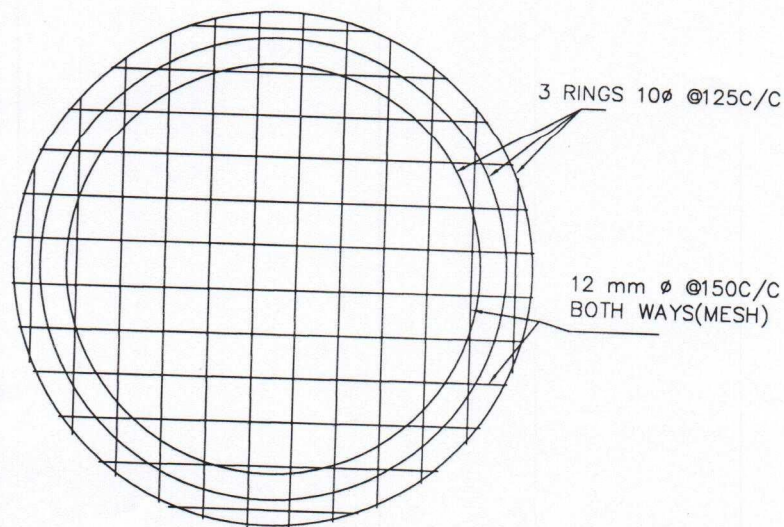
M 16/5/12
 ES

Government of Telangana		
Rural Water Supply & Sanitation Department		
Construction of 20 KL capacity OHSR/OHBR 12m staging column type		
Scale: Not to scale	sheet: 3 of 8	REV: 01



NOTE: THIS DRAWING
SUPERSEDES THE
EARLIER APPROVED
DRAWING FOR
20KL OHSR ON
17.04.2017

DETAILS OF SIDE WALL



REINFORCEMENT PLAN OF BOTTOM SLAB(FOR TOP AND BOTTOM MATS)

|| APPROVED ||

CE I

G. Vinod 16/12

CE II

CE III

TDWSP, Hyderabad

16/5

16/5

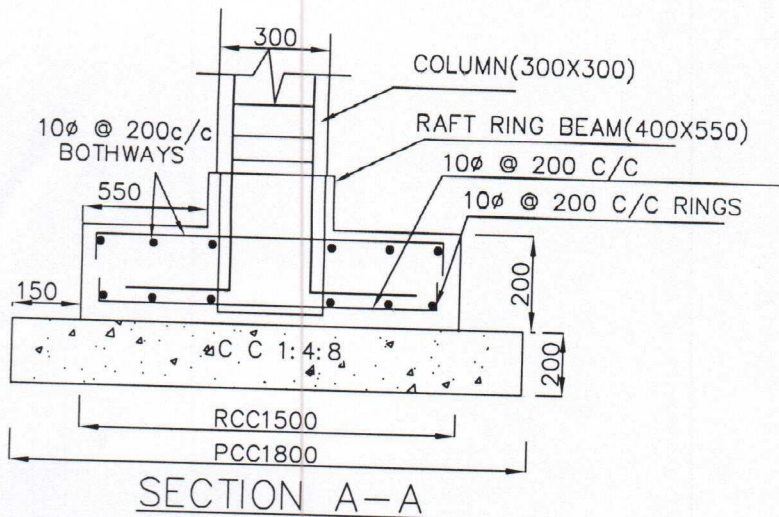
16/5

16/12

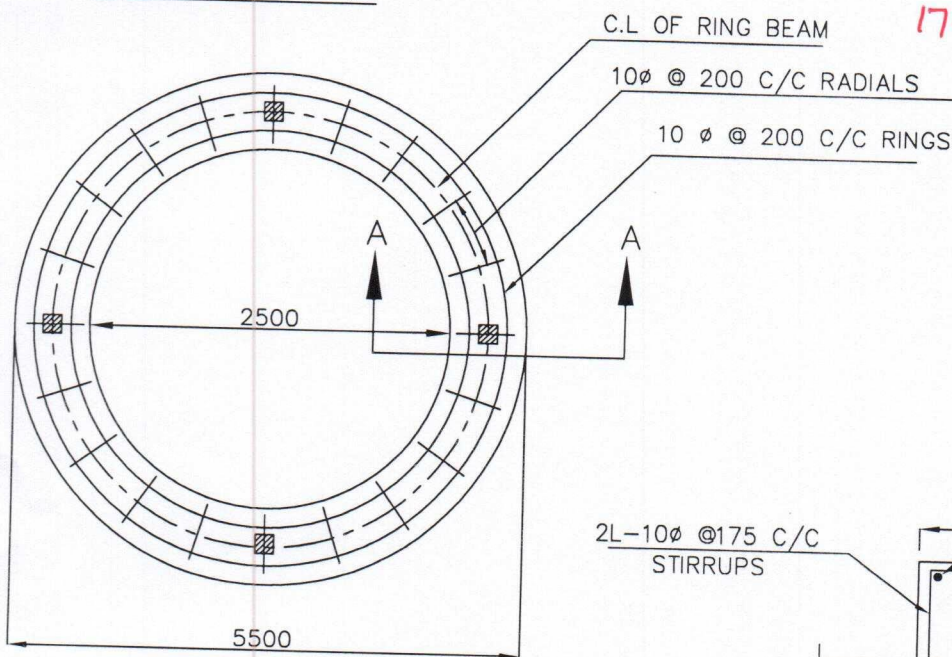
16/5

EE

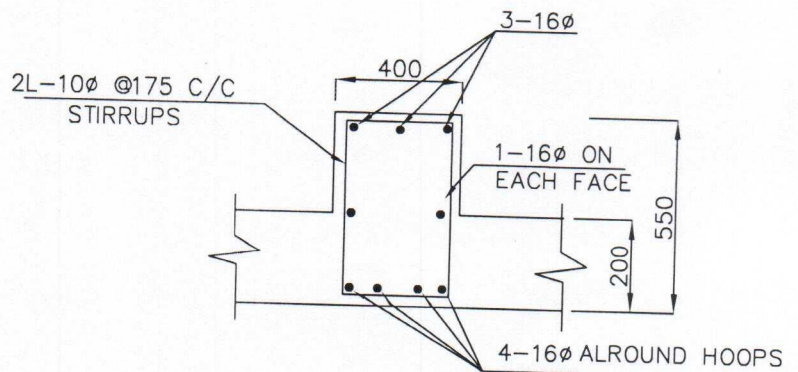
Government of Telangana		
Rural Water Supply & Sanitation Department		
Construction of 20 KL capacity OHSR/OHBR 12m staging column type		
Scale: Not to scale	sheet: 4 of 8	REV : 01



NOTE: THIS DRAWING SUPER
 -SEDES THE EARLIER
 APPROVED DRAWING
 FOR 20KL OHSR ON
 17.04.2017



BOTTOM REINFORCEMENT OF
 RING FOUNDATION
 SBC - 7.5t/m²

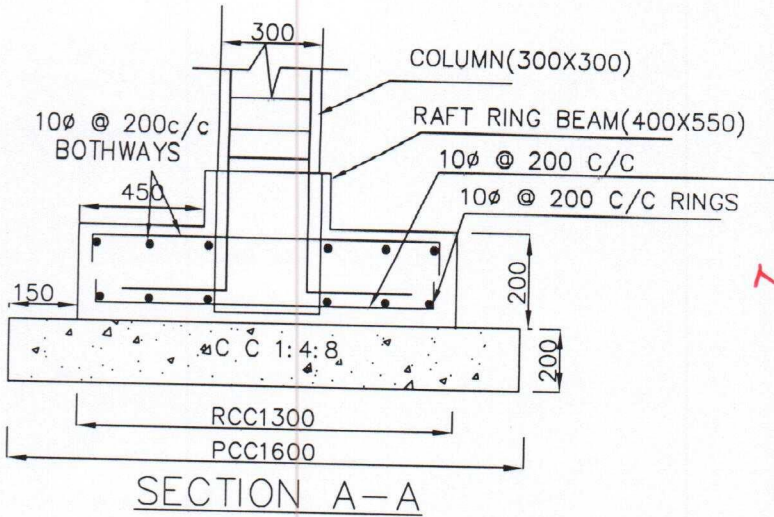


SECTION OF RING RAFT BEAM

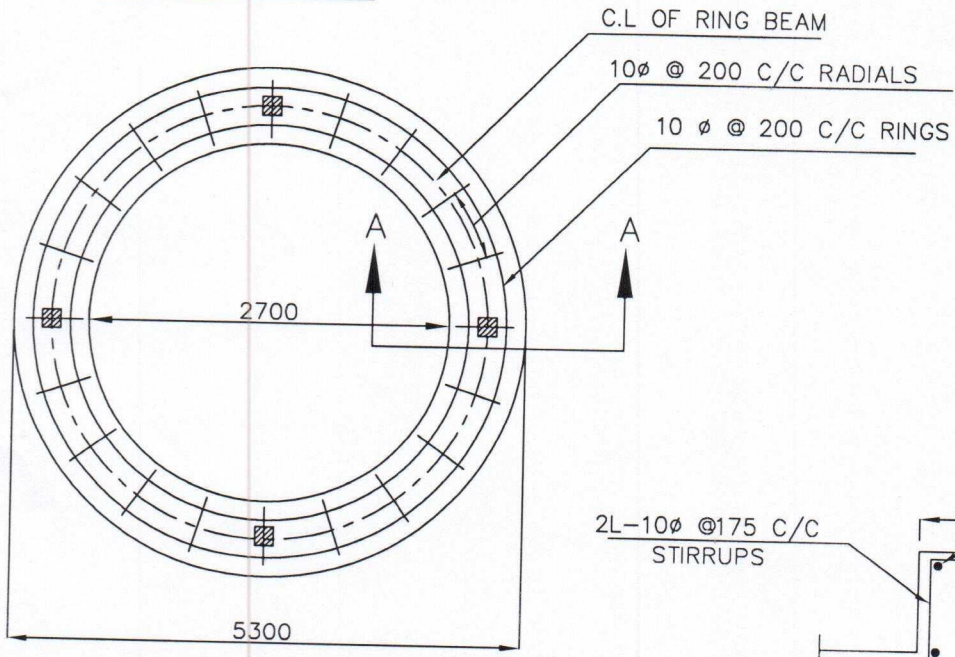
|| APPROVED ||

CE I
 CE II
 CE III
 TDWSP, Hyderabad
 16/5
 16/5
 16/5
 16/5/17
 16/5/17
 16/5

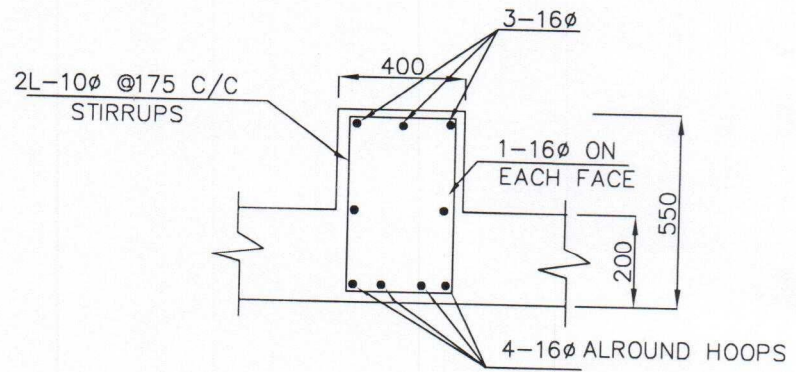
Government of Telangana		
Rural Water Supply & Sanitation Department		
Construction of 20 KL capacity OHSR/OHBR 12m staging column type		
Scale: Not to scale	sheet: 5 of 8	REV: 01



NOTE ; THIS DRAWING SUPERSEDES THE EARLIER APPROVED DRAWING FOR 20KL OHSR ON 17.04.2017



BOTTOM REINFORCEMENT OF RING FOUNDATION SBC -15t/m²

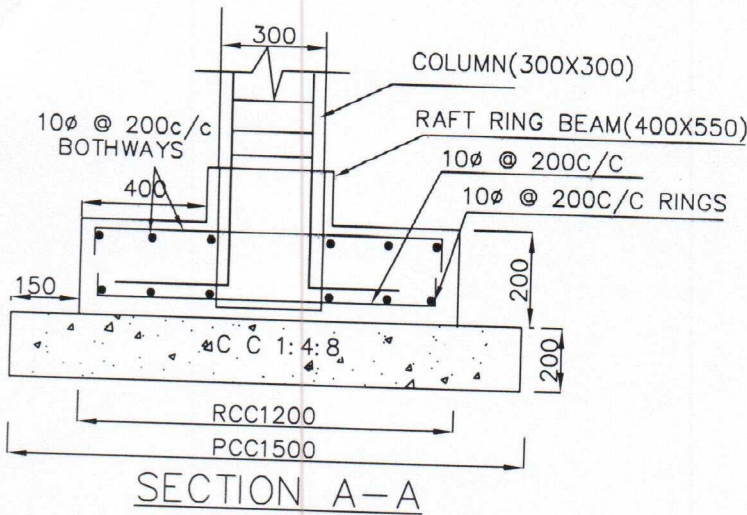


SECTION OF RING RAFT BEAM

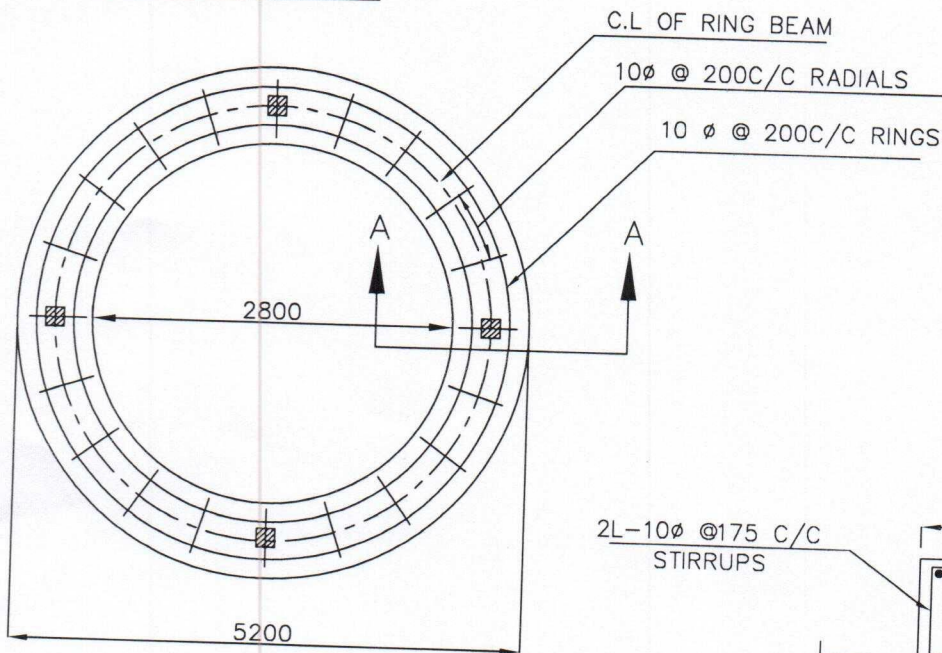
|| APPROVED ||

CE I
 CE II
 CE III
 TDWSP, Hyderabad
 16/5/17
 16/5/17
 16/5/17
 16/5/17

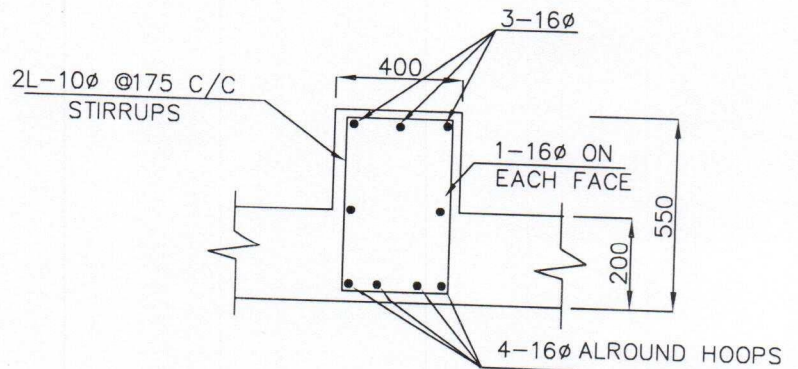
Government of Telangana		
Rural Water Supply & Sanitation Department		
Construction of 20 KL capacity OHSR/OHBR 12m staging column type		
Scale: Not to scale	sheet: 6 of 8	REV : 01



NOTE: THIS DRAWING SUPERSEDES THE EARLIER APPROVED DRAWING FOR 20KL OHSR ON 17.04.2017



BOTTOM REINFORCEMENT OF RING FOUNDATION
 SBC - 20t/m²



SECTION OF RING RAFT BEAM

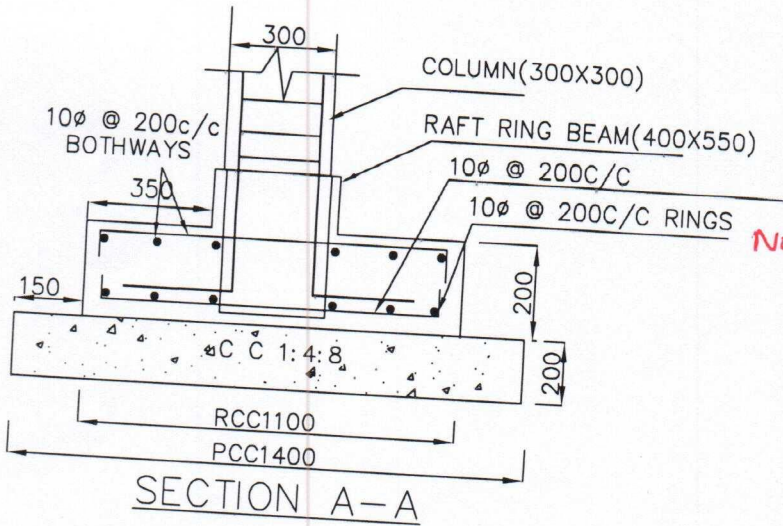
1 APPROVED II

CE I
 CE II
 CE III

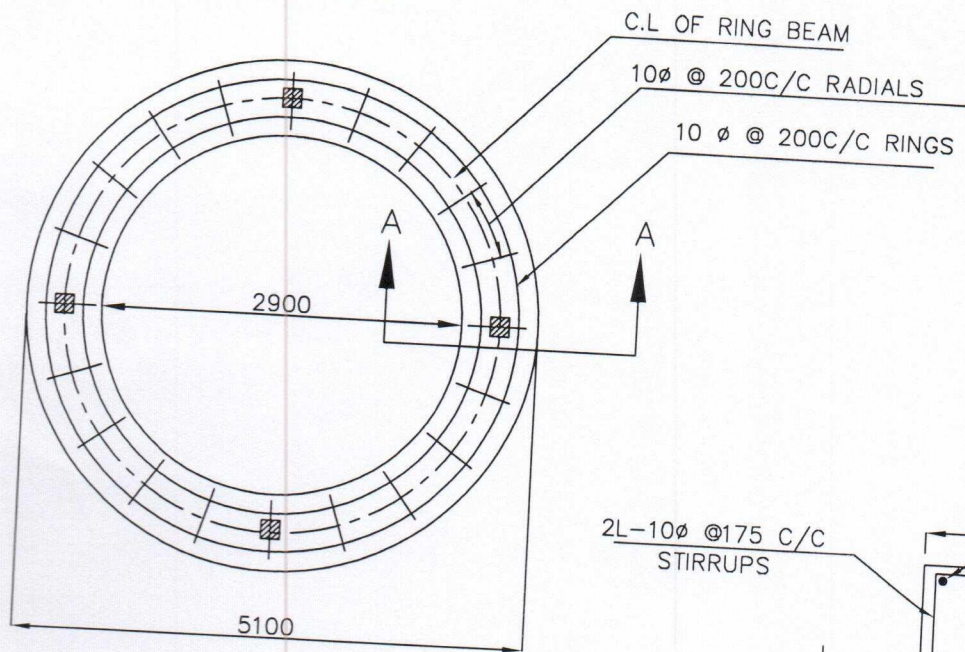
TDWSP, Hyderabad

16/5 14/12
 16/5
 16/5/17
 16/5/17
 16/5/17

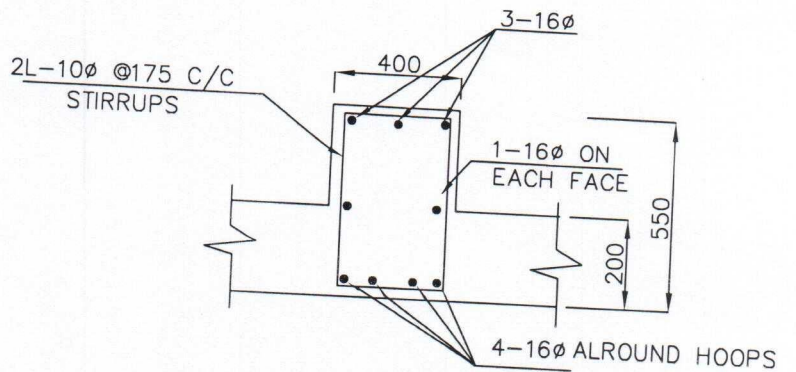
Government of Telangana		
Rural Water Supply & Sanitation Department		
Construction of 20 KL capacity OHSR/OHBR 12m staging column type		
Scale: Not to scale	sheet: 7 of 8	REV : 01



NOTE: THIS DRAWING SUPERSEDES THE EARLIER APPROVED DRAWING FOR 20KL OMSR ON 17.04.2017



BOTTOM REINFORCEMENT OF RING FOUNDATION
 SBC - 30t/m²



SECTION OF RING RAFT BEAM

|| APPROVED ||

CE I
 Gilman 16/5
 CE II
 Any 16/5/17
 CE III
 TDWSP, Hyderabad
 Rg 16/5
 Mhoy 16/5
 16/5
 M 16/5/17
 EEE

Government of Telangana		
Rural Water Supply & Sanitation Department		
Construction of 20 KL capacity OHSR/OHBR 12m staging column type		
Scale: Not to scale	sheet: 8 of 8	REV: 01